

 **TEKIRO**
CR-MO 46mm
Japan



IMPACT SOCKET



TEKIRO®
HAND TOOLS
BELIEVE IN YOUR CHOICE



WRENCHES

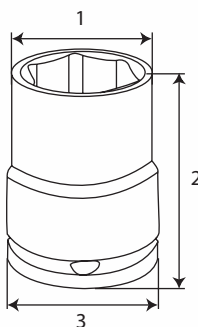
TORQUE

SOCKET

IMPACT

PLIERS

- Heat treated Chrome Molybdenum steel
- Drop forged for extra strength
- Manganese phosphate finish



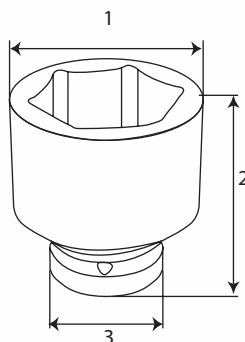
ITEM CODE	SIZE	1 (mm)	2 (mm)	3 (mm)	WEIGHT (gr)	QTY / DUS KECIL/BESAR
IS-IS0661	27 mm	37	42	31	162	5 pcs
IS-IS0662	28 mm	40	45	30	187	5 pcs
IS-IS0663	29 mm	41	48	30	214	5 pcs
IS-IS0664	30 mm	41	48	30	200	5 pcs
IS-IS0665	32 mm	44	48	30	211	5 pcs

SOCKET IMPACT 1/2" DR 6 PT

MATA SOCK IMPACT 1/2" DR 6 PT

ITEM CODE	SIZE	1 (mm)	2 (mm)	3 (mm)	WEIGHT (gr)	QTY / DUS KECIL/BESAR
IS-IS0642	8 mm	15	39	24	70	10 pcs
IS-IS0643	9 mm	16	39	25	70	10 pcs
IS-IS0644	10 mm	18	39	25	70	10 pcs
IS-IS0645	11 mm	18	39	25	71	10 pcs
IS-IS0646	12 mm	20	38	25	74	10 pcs
IS-IS0647	13 mm	21	39	25	75	10 pcs
IS-IS0648	14 mm	22	39	30	80	10 pcs
IS-IS0649	15 mm	23	40	25	77	10 pcs
IS-IS0650	16 mm	24	39	30	117	10 pcs
IS-IS0651	17 mm	25	39	29	124	10 pcs
IS-IS0652	18 mm	26	40	31	120	10 pcs
IS-IS0653	19 mm	28	38	30	118	10 pcs
IS-IS0654	20 mm	29	39	30	123	5 pcs
IS-IS0655	21 mm	30	39	30	117	5 pcs
IS-IS0656	22 mm	31	39	29	129	5 pcs
IS-IS0657	23 mm	33	37	30	130	5 pcs
IS-IS0658	24 mm	34	50	30	136	5 pcs
IS-IS0659	25 mm	35	39	30	149	5 pcs
IS-IS0660	26 mm	36	40	30	137	5 pcs

- Heat treated Chrome Molybdenum steel
- Drop forged for extra strength
- Manganese phosphate finish



ITEM CODE	SIZE	1 (mm)	2 (mm)	3 (mm)	WEIGHT (gr)	QTY / DUS KECIL/BESAR
IS-IS0692	59 mm	82	75	55	1,380	1 / 15 pcs
IS-IS0693	60 mm	82	80	60	1,517	2 / 15 pcs
IS-IS0694	62 mm	85	81	54	1,450	1 / 10 pcs
IS-IS0695	65 mm	89	80	55	1,500	1 / 10 pcs
IS-IS0696	70 mm	96	86	54	1,845	1 / 10 pcs

SOCKET IMPACT 3/4" DR 6 PT

MATA SOCK IMPACT 3/4" DR 6 PT

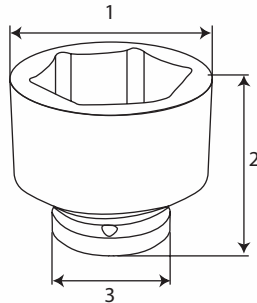
ITEM CODE	SIZE	1 (mm)	2 (mm)	3 (mm)	WEIGHT (gr)	QTY / DUS KECIL/BESAR
IS-IS0666	17 mm	28	50	37	252	5 / 450 pcs
IS-IS0667	18 mm	29	52	37	238	5 / 450 pcs
IS-IS0668	19 mm	31	51	40	275	5 / 75 pcs
IS-IS0669	21 mm	36	49	40	300	5 / 75 pcs
IS-IS0670	22 mm	36	50	40	302	5 / 75 pcs
IS-IS0671	23 mm	36	51	40	304	4 / 60 pcs
IS-IS0672	24 mm	38	51	40	299	4 / 60 pcs
IS-IS0673	26 mm	39	51	40	308	4 / 60 pcs
IS-IS0674	27 mm	41	52	41	333	4 / 60 pcs
IS-IS0675	28 mm	43	54	43	362	4 / 60 pcs
IS-IS0676	29 mm	44	55	44	393	4 / 60 pcs
IS-IS0677	30 mm	45	54	44	405	4 / 60 pcs
IS-IS0678	32 mm	48	56	44	456	4 / 60 pcs
IS-IS0679	33 mm	50	57	44	485	4 / 60 pcs
IS-IS0680	34 mm	52	56	44	504	4 / 36 pcs
IS-IS0681	35 mm	51	56	44	472	3 / 162 pcs
IS-IS0682	36 mm	52	56	43	514	3 / 36 pcs
IS-IS0683	38 mm	55	56	43	540	3 / 36 pcs
IS-IS0684	41 mm	59	57	44	609	3 / 36 pcs
IS-IS0685	46 mm	65	62	43	749	2 / 20 pcs
IS-IS0686	50 mm	70	67	43	881	2 / 20 pcs
IS-IS0687	52 mm	75	72	54	1,130	1 / 20 pcs
IS-IS0688	54 mm	77	73	54	1,247	1 / 20 pcs
IS-IS0689	55 mm	77	74	54	1,217	2 / 20 pcs
IS-IS0690	57 mm	80	75	54	1,300	1 / 15 pcs
IS-IS0691	58 mm	82	80	54	1,350	1 / 15 pcs



SOCKET IMPACT 1" DR 6 PT

MATA SOCK IMPACT 1" DR 6 PT

- Heat treated Chrome Molybdenum steel
- Drop forged for extra strength
- Manganese phosphat finish

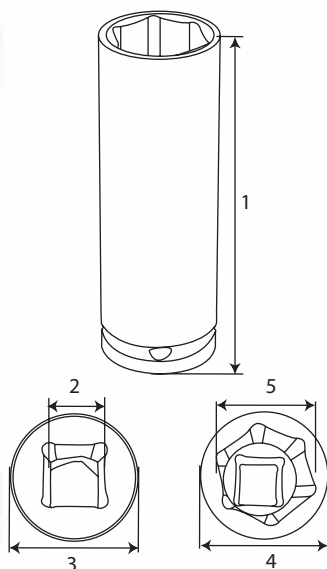


ITEM CODE	SIZE	1 (mm)	2 (mm)	3 (mm)	WEIGHT (gr)	QTY / DUS KECIL/BESAR
IS-IS0697	30 mm	49	54	42	691	1 dus = 162 pcs
IS-IS0698	32 mm	50	55	42	701	1 dus = 162 pcs
IS-IS0699	36 mm	56	65	54	751	1 dus = 12 pcs
IS-IS0700	38 mm	56	65	55	781	1 dus = 12 pcs
IS-IS0701	41 mm	63	65	54	812	1 dus = 12 pcs
IS-IS0702	42 mm	62	65	54	841	1 dus = 60 pcs
IS-IS0703	46 mm	69	74	54	1,040	1 dus = 12 pcs
IS-IS0704	48 mm	68	74	54	1,077	1 dus = 12 pcs
IS-IS0705	50 mm	74	75	54	1,157	1 dus = 12 pcs
IS-IS0706	52 mm	75	70	54	1,180	1 dus = 20 pcs
IS-IS0707	55 mm	80	85	55	1,500	1 dus = 12 pcs
IS-IS0708	60 mm	92	93	54	1,740	1 dus = 10 pcs
IS-IS0709	65 mm	93	93	54	2,007	1 dus = 10 pcs
IS-IS0710	70 mm	100	99	54	2,461	1 dus = 10 pcs
IS-IS0711	75 mm	105	101	85	3,652	1 dus = 6 pcs
IS-IS0712	80 mm	111	100	85	3,780	1 dus = 6 pcs
IS-IS0713	85 mm	117	102	86	4,150	1 dus = 6 pcs
IS-IS0714	90 mm	124	107	85	4,472	1 dus = 6 pcs
IS-IS0715	95 mm	128	104	85	4,515	1 dus = 6 pcs
IS-IS0716	100 mm	137	105	95	5,320	1 dus = 4 pcs

SOCKET DEEP IMPACT 1/2" DR 6 PT

MATA SOCK DEEP IMPACT 1/2" DR 6 PT

- Heat treated Chrome Molybdenum steel
- Drop forged for extra strength
- Manganese phosphat finish



ITEM CODE	SIZE	1 (mm)	2 (mm)	3 (mm)	4 (mm)	5 (mm)	WEIGHT (gr)	QTY / DUS KECIL/BESAR
IS-DP0717	8 mm	77	13	24	14	8	117	5 pcs
IS-DP0718	9 mm	77	13	25	16	9	117	5 pcs
IS-DP0719	10 mm	77	13	24	17	10	138	5 pcs
IS-DP0720	11 mm	78	13	25	19	11	135	5 pcs
IS-DP0721	12 mm	78	13	24	19	12	143	5 pcs
IS-DP0722	13 mm	79	13	24	21	13	152	5 pcs
IS-DP0723	14 mm	78	13	23	22	14	150	5 pcs
IS-DP0724	15 mm	78	13	24	24	15	155	5 pcs
IS-DP0725	16 mm	78	13	24	25	16	156	5 pcs
IS-DP0726	17 mm	77	13	25	25	17	196	5 pcs
IS-DP0727	18 mm	79	13	27	28	18	232	5 pcs
IS-DP0728	19 mm	78	13	28	27	19	207	5 pcs
IS-DP0729	20 mm	79	13	29	30	20	245	5 pcs
IS-DP0730	21 mm	78	13	29	29	21	238	5 pcs
IS-DP0731	22 mm	78	13	30	31	22	275	5 pcs
IS-DP0732	23 mm	78	13	30	31	23	261	5 pcs
IS-DP0733	24 mm	79	13	30	32	24	292	4 pcs
IS-DP0734	26 mm	78	13	30	35	26	285	4 pcs
IS-DP0735	27 mm	78	13	30	37	27	364	4 pcs
IS-DP0736	28 mm	78	13	30	37	28	293	4 pcs
IS-DP0737	29 mm	78	13	30	39	29	334	3 pcs
IS-DP0738	30 mm	78	13	30	42	30	457	3 pcs
IS-DP0739	32 mm	78	13	30	43	32	449	3 pcs

WRENCHES

TORQUE

SOCKET

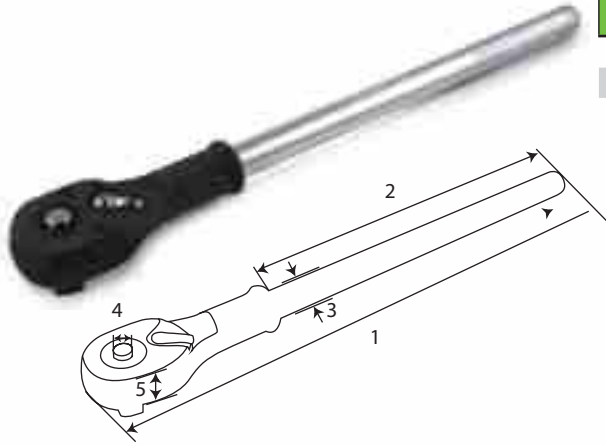
IMPACT

PLIERS



WRENCHES
TORQUE
SOCKET
IMPACT
PLIERS

RATCHET HANDLE IMPACT

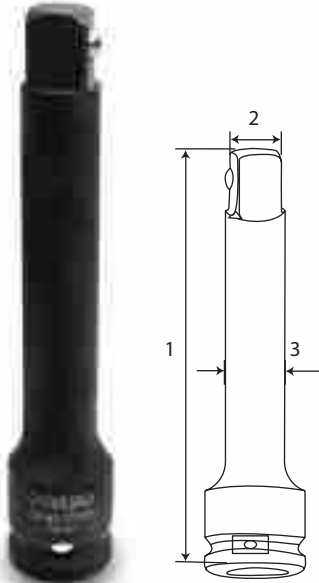


ITEM CODE	SIZE	1 (mm)	2 (mm)	3 (mm)	4 (mm)	5 (mm)	WEIGHT (gr)	QTY / DUS KECIL/BESAR
IS-RH0740	IS-RH0740	77	13	24	14	8	117	5 pcs
IS-RH0741	IS-RH0741	77	13	25	16	9	117	5 pcs

EXTENTION BAR IMPACT

SAMBUNGAN SOCK IMPACT

- Heat treated Chrome Molybdenum steel
- Drop forged for extra strength
- Manganese phosphat finish

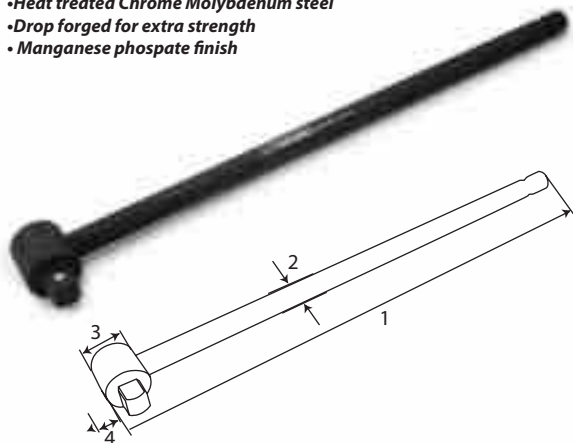


ITEM CODE	SIZE	1 (mm)	2 (mm)	3 (mm)	WEIGHT (gr)	QTY / DUS KECIL/BESAR
IS-EB0742	1/2" X 3"	78	16	12	150	1 dus = 96 pcs
IS-EB0743	1/2" X 5"	128	16	12	230	1 dus = 96 pcs
IS-EB0744	1/2" X 10"	252	16	12	430	1 dus = 48 pcs
IS-EB0745	3/4" X 4"	98	25	19	568	1 dus = 30 pcs
IS-EB0746	3/4" X 10"	254	25	19	1,173	1 dus = 24 pcs

SLIDING T IMPACT

GAGANG SOCK T

- Heat treated Chrome Molybdenum steel
- Drop forged for extra strength
- Manganese phosphat finish



ITEM CODE	SIZE	1 (mm)	2 (mm)	3 (mm)	WEIGHT (gr)	QTY / DUS KECIL/BESAR
IS-SL0747	3/4" X 20"	510	20	39	1,578	1 / 10 pcs
IS-SL0756	1" X 22"	563	28	49	3,239	1 / 6 pcs



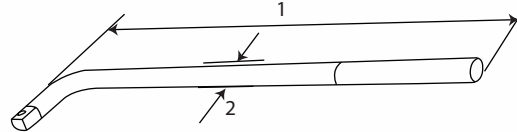
- Heat treated Chrome Molybdenum steel
- Drop forged for extra strength
- Manganese phosphat finish



OFFSET HANDLE IMPACT

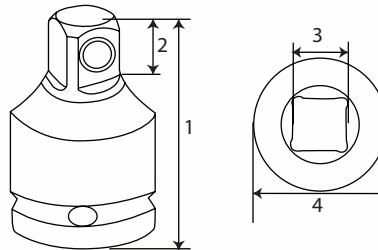
GAGANG SOCK - L IMPACT

ITEM CODE	SIZE	1 (mm)	2 (mm)	WEIGHT (gr)	QTY / DUS KECIL/BESAR
IS-OH0748	3/4" X 20"	532	25	2,101	5 / 10 pcs
IS-OH0757	1" X 26"	690	34	5,399	1 / 4 pcs



ADAPTOR IMPACT

ITEM CODE	SIZE	1 (mm)	2 (mm)	3 (mm)	4 (mm)	WEIGHT (gr)	QTY / DUS KECIL/BESAR
IS-AI0749	3/8 F x 1/2 M	38	14	9	21	65	30 / 180 pcs
IS-AI0750	1/2 F x 3/8 M	35	11	13	21	51	30 / 180 pcs
IS-AI0751	1/2 F x 3/4 M	48	19	13	30	165	30 / 180 pcs
IS-AI0752	3/4 F x 1/2 M	74	22	26	53	659	30 / 180 pcs
IS-AI0753	3/4 F x 1 M	63	25	20	43	435	30 / 180 pcs
IS-AI0754	1 F x 3/4 M	75	21	26	54	658	30 / 180 pcs



SOCKET SET IMPACT 3/4" 17 PCS

KUNCI SOCK SET IMPACT 3/4" DR 17 PCS (BESI)

ITEM CODE
21 - 50 mm (6 PT)
IS-SE0755



SIZE	CONTENT	WEIGHT (gr)	QTY / DUS KECIL/BESAR
21 - 50 mm (6 PT)	1 pcs 3/4" DR. Ratchet Handle 20"	14,550	1 set
	3/4" DR. Impact Extension Bar 4"		
	1 pcs 3/4" DR. Impact Extension Bar 10"		
	1 pcs 3/4" DR. Impact Sliding T Bar 20"		
	13 pcs 1/2" DR. Socket		
	21 mm, 22 mm, 23 mm, 24 mm 27 mm, 30 mm, 32 mm, 36 mm 38 mm, 41 mm, 46 mm, 50 mm		
1 pcs Metal Case			