



SCREWDRIVERS



# SCREWDRIVERS

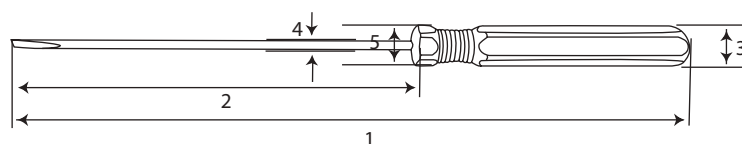
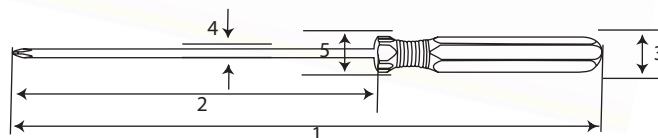


## IN LINE SCREWDRIVER

### OBENG KRISTAL

ITEM CODE		SIZE		1	2	3	4	5	WEIGHT	QTY / DUS
(+)	(-)	(+)	(-)	(mm)	(mm)	(mm)	(mm)	(mm)	(gr)	KECIL/BESAR
SD-IL0789	SD-IL0819	PH00 X 50 mm (O 2.5)	2.5 X 50 mm	106	20	14	2	14	14	12 / 600 pcs
SD-IL0790	SD-IL0820	PH00 X 75 mm (O 2.5)	2.5 X 75 mm	132	750	15	2	15	15	12 / 600 pcs
SD-IL0791	SD-IL0821	PH00 X 100 mm (O 2.5)	2.5 X 100 mm	157	100	13	2	13	16	12 / 600 pcs
SD-IL0792	SD-IL0822	PH0 X 75 mm (O 3.2)	3.2 X 75 mm	131	75	14	3	14	17	12 / 600 pcs
SD-IL0793	SD-IL0823	PH0 X 100 mm (O 3.2)	3.2 X 100 mm	158	100	14	3	14	19	12 / 600 pcs
SD-IL0794	SD-IL0824	PH0 X 150 mm (O 3.2)	3.2 X 150 mm	209	150	15	3	15	22	12 / 600 pcs
SD-IL0795	SD-IL0825	PH0 X 200 mm (O 3.2)	3.2 X 200 mm	259	200	14	3	14	25	12 / 600 pcs
SD-IL0796	SD-IL0826	PH0 X 100 mm (O 4)	4 X 100 mm	158	100	14	4	14	22	12 / 600 pcs
SD-IL0797	SD-IL0827	PH0 X 125 mm (O 4)	4 X 125 mm	183	125	14	4	14	25	12 / 600 pcs
SD-IL0798	SD-IL0828	PH0 X 150 mm (O 4)	4 X 150 mm	208	150	14	4	14	28	12 / 600 pcs
SD-IL0799	SD-IL0829	PH0 X 200 mm (O 4)	4 X 200 mm	257	200	14	4	14	32	12 / 600 pcs
SD-IL0800	SD-IL0830	PH0 X 250 mm (O 4)	4 X 250 mm	303	250	14	4	14	37	12 / 600 pcs
SD-IL0801	SD-IL0831	PH1 X 75 mm (O 5)	5 X 75 mm	163	75	20	5	20	48	12 / 300 pcs
SD-IL0802	SD-IL0832	PH1 X 100 mm (O 5)	5 X 100 mm	190	100	20	5	20	55	12 / 300 pcs
SD-IL0803	SD-IL0833	PH1 X 125 mm (O 5)	5 X 125 mm	214	125	20	5	20	59	12 / 300 pcs
SD-IL0804	SD-IL0834	PH1 X 150 mm (O 5)	5 X 150 mm	242	150	20	5	20	62	12 / 300 pcs
SD-IL0805	SD-IL0835	PH1 X 200 mm (O 5)	5 X 200 mm	290	200	20	5	20	71	12 / 240 pcs
SD-IL0806	SD-IL0836	PH1 X 250 mm (O 5)	5 X 250 mm	340	250	20	5	20	78	12 / 240 pcs
SD-IL0807	SD-IL0837	PH1 X 300 mm (O 5)	5 X 300 mm	390	300	20	5	20	84	12 / 240 pcs
SD-IL0808	SD-IL0838	PH2 X 38 mm (O 6)	6 X 38 mm	87	38	26	6	26	44	12 / 300 pcs
SD-IL0809	SD-IL0839	PH2 X 100 mm (O 6)	6 X 100 mm	198	100	22	6	22	77	12 / 300 pcs
SD-IL0810	SD-IL0840	PH2 X 125 mm (O 6)	6 X 125 mm	224	125	22	6	22	81	12 / 300 pcs
SD-IL0811	SD-IL0841	PH2 X 150 mm (O 6)	6 X 150 mm	249	150	22	6	22	89	12 / 300 pcs
SD-IL0812	SD-IL0842	PH2 X 200 mm (O 6)	6 X 200 mm	299	200	22	6	22	98	12 / 240 pcs
SD-IL0813	SD-IL0843	PH2 X 250 mm (O 6)	6 X 250 mm	351	250	22	6	22	109	12 / 240 pcs
SD-IL0814	SD-IL0844	PH2 X 300 mm (O 6)	6 X 300 mm	398	300	22	6	22	120	12 / 240 pcs
SD-IL0815	SD-IL0845	PH3 X 150 mm (O 8)	8 X 150 mm	262	150	26	8	26	140	12 / 120 pcs
SD-IL0816	SD-IL0846	PH3 X 200 mm (O 8)	8 X 200 mm	312	200	26	8	26	157	12 / 120 pcs
SD-IL0817	SD-IL0847	PH3 X 250 mm (O 8)	8 X 250 mm	365	250	26	8	26	174	12 / 120 pcs
SD-IL0818	SD-IL0848	PH3 X 300 mm (O 8)	8 X 300 mm	398	300	26	8	26	192	12 / 120 pcs

• Material chrome vanadium



SCREWDRIVER

AUTOMOTIVE

STORAGE

TRAY

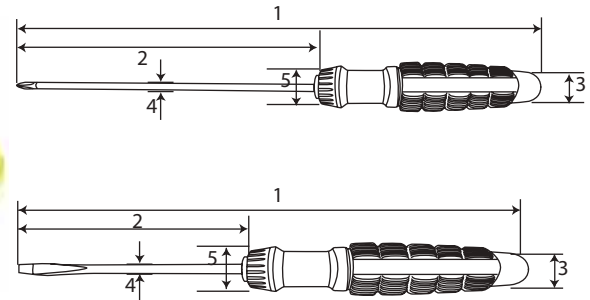


## CUSHION GRIP SCREWDRIVER

**OBENG GAGANG KARET**

ITEM CODE		SIZE		1 (mm)	2 (mm)	3 (mm)	4 (mm)	5 (mm)	WEIGHT (gr)	QTY / DUS KECIL/BESAR
(+)	(-)	(+)	(-)							
SD-CG0850	SD-CG0858	PH1 X 75 mm (O 5)	5 X 75 mm	175	75	22	5	31	84	12 / 120 pcs
SD-CG0851	SD-CG0859	PH2 X 38 mm (O 6)	6 X 38 mm	100	38	27	6	31	66	12 / 300 pcs
SD-CG0852	SD-CG0860	PH2 X 100 mm (O 6)	6 X 100 mm	210	100	25	6	31	113	12 / 120 pcs
SD-CG0853	SD-CG0861	PH2 X 125 mm (O 6)	6 X 125 mm	234	125	28	6	31	119	12 / 120 pcs
SD-CG0854	SD-CG0862	PH2 X 150 mm (O 6)	6 X 150 mm	258	150	30	6	31	124	12 / 120 pcs
SD-CG0855	SD-CG0863	PH2 X 200 mm (O 6)	6 X 200 mm	310	200	30	6	31	135	12 / 120 pcs
SD-CG0856	SD-CG0864	PH2 X 250 mm (O 6)	6 X 250 mm	361	250	25	6	31	145	12 / 120 pcs
SD-CG0857	SD-CG0865	PH2 X 300 mm (O 6)	6 X 300 mm	410	300	30	6	31	156	12 / 120 pcs

• Material chrome vanadium

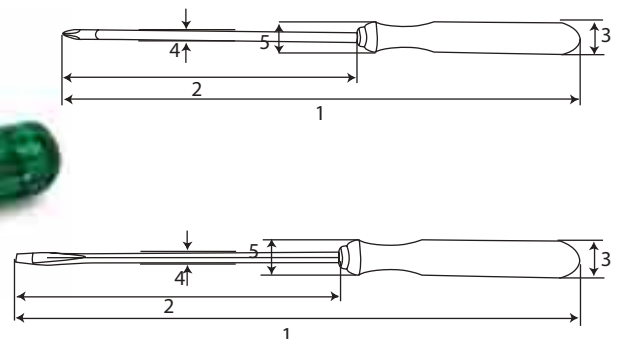


## GO - THRU GREEN HANDLE SCREWDRIVER

**OBENG TEMBUS HIJAU**

ITEM CODE		SIZE		1 (mm)	2 (mm)	3 (mm)	4 (mm)	5 (mm)	WEIGHT (gr)	QTY / DUS KECIL/BESAR
(+)	(-)	(+)	(-)							
SD-GT0866	SD-GT0874	PH1 X 75 mm (O 5)	5 x 75 mm	164	75	20	5	17	59	12 / 300 pcs
SD-GT0867	SD-GT0883	PH2 X 100 mm (O 6)	6 x 100 mm	200	100	26	6	24	105	12 / 240 pcs
SD-GT0868	SD-GT0884	PH2 X 125 mm (O 6)	6 x 125 mm	225	125	26	6	24	112	12 / 240 pcs
SD-GT0869	SD-GT0885	PH2 X 150 mm (O 6)	6 x 150 mm	253	150	26	6	24	120	12 / 240 pcs
SD-GT0870	SD-GT0886	PH2 X 200 mm (O 6)	6 x 200 mm	306	200	26	6	24	134	12 / 240 pcs
SD-GT0871	SD-GT0887	PH3 X 200 mm (O 8)	8 x 200 mm	312	200	27	8	26	209	12 / 120 pcs
SD-GT0872	SD-GT0888	PH3 X 250 mm (O 8)	8 x 250 mm	360	250	27	8	26	234	12 / 120 pcs
SD-GT0873	SD-GT0889	PH3 X 300 mm (O 8)	8 x 300 mm	413	300	27	8	26	256	12 / 120 pcs

• Material chrome vanadium



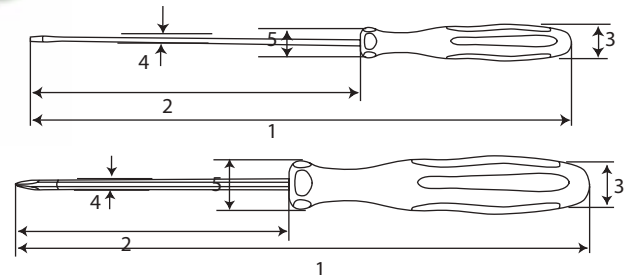


## TPR SCREWDRIVER

### OBENG TPR

ITEM CODE		SIZE		1	2	3	4	5	WEIGHT	QTY / DUS
(+)	(-)	(+)	(-)	(mm)	(mm)	(mm)	(mm)	(mm)	(gr)	KECIL/BESAR
SD-TR0882	SD0TR0898	PH0 X 150 mm (O 3)	3 X 150 mm	221	150	21	3	17	23	12 / 600 pcs
SD-TR0883	SD0TR0899	PH0 X 200 mm (O 3)	3 X 200 mm	270	200	21	3	17	28	12 / 600 pcs
SD-TR0884	SD0TR0900	PH0 X 100 mm (O 4)	4 X 100 mm	210	100	22	4	22	27	12 / 600 pcs
SD-TR0885	SD0TR0901	PH0 X 150 mm (O 4)	4 X 150 mm	219	150	22	4	22	32	12 / 600 pcs
SD-TR0886	SD0TR0902	PH0 X 200 mm (O 4)	4 X 200 mm	262	200	22	4	22	36	12 / 600 pcs
SD-TR0888	SD0TR0903	PH1 X 75 mm (O 5)	5 X 75 mm	176	75	25	5	25	61	12 / 300 pcs
SD-TR0889	SD0TR0904	PH1 X 100 mm (O 5)	5 X 100 mm	201	101	26	6	26	63	12 / 300 pcs
SD-TR0890	SD0TR0905	PH1 X 125 mm (O 5)	5 X 125 mm	236	127	30	6	27	133	12 / 300 pcs
SD-TR0891	SD0TR0906	PH1 X 150 mm (O 5)	5 X 150 mm	256	150	25	5	25	72	12 / 240 pcs
SD-TR0892	SD0TR0907	PH2 X 38 mm (O 6)	6 X 38 mm	103	38	32	6	26	44	12 / 300 pcs
SD-TR0893	SD0TR0908	PH2 X 100 mm (O 6)	6 X 100 mm	209	100	31	6	31	87	12 / 240 pcs
SD-TR0894	SD0TR0909	PH2 X 125 mm (O 6)	6 X 125 mm	245	125	31	6	31	91	12 / 180 pcs
SD-TR0887	SD0TR0910	PH2 X 150 mm (O 6)	6 X 150 mm	260	150	31	6	31	97	12 / 180 pcs
SD-TR0895	SD0TR0911	PH2 X 200 mm (O 6)	6 X 200 mm	310	200	31	6	31	108	12 / 120 pcs
SD-TR0896	SD0TR0912	PH2 X 250 mm (O 6)	6 X 250 mm	355	252	31	6	28	118	12 / 120 pcs
SD-TR0897	SD0TR0913	PH2 X 300 mm (O 6)	6 X 300 mm	408	300	31	6	31	129	12 / 120 pcs

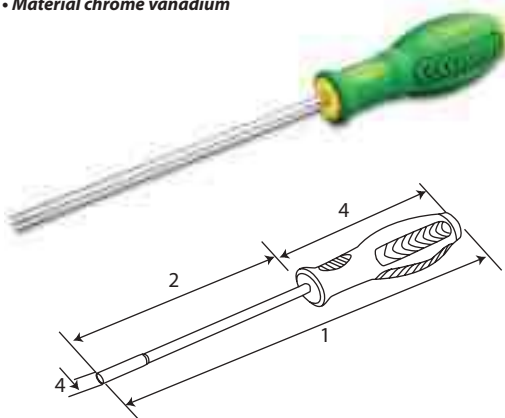
• Material chrome vanadium



## NUT SCREWDRIVER

### OBENG SOK

• Material chrome vanadium



ITEM CODE	SIZE	1	2	3	4	WEIGHT	QTY / DUS
		(mm)	(mm)	(mm)	(mm)	(gr)	KECIL/BESAR
SD-NT0914	3 mm	260	142	117	3	127	12 / 96 pcs
SD-NT0915	3.5 mm	260	142	117	4	129	12 / 96 pcs
SD-NT0916	4 mm	260	142	117	4	132	12 / 96 pcs
SD-NT0917	5 mm	272	152	119	5	136	12 / 96 pcs
SD-NT0918	5.5 mm	272	152	119	6	139	12 / 96 pcs
SD-NT0919	6 mm	272	152	119	6	141	12 / 96 pcs
SD-NT0920	8 mm	272	152	119	8	145	12 / 96 pcs

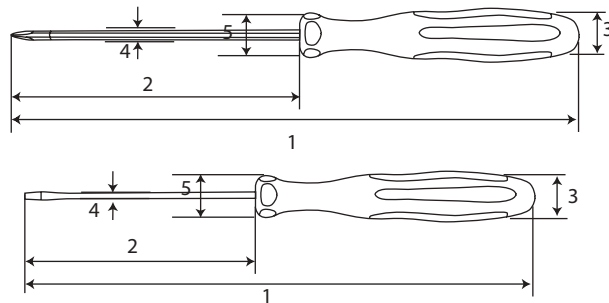


## TPR GO - THRU SCREWDRIVER

OBENG TPR KETOK

ITEM CODE		SIZE		1	2	3	4	5	WEIGHT	QTY / DUS
(+)	(-)	(+)	(-)	(mm)	(mm)	(mm)	(mm)	(mm)	(gr)	KECIL/BESAR
SD-TG0940	SD-TG0948	PH1 x 75 mm (O5)	5 x 75 mm	175	76	30	5	25	86	12 / 600 pcs
SD-TG0941	SD-TG0949	PH2 x 100 mm (O6)	6 x 100 mm	210	100	32	6	27	128	12 / 600 pcs
SD-TG0942	SD-TG0950	PH2 x 125 mm (O6)	6 x 125 mm	237	128	27	6	27	133	12 / 600 pcs
SD-TG0943	SD-TG0951	PH2 x 150 mm (O6)	6 x 150 mm	261	150	27	6	27	143	12 / 600 pcs
SD-TG0944	SD-TG0952	PH2 x 200 mm (O6)	6 x 200 mm	310	203	27	6	27	153	12 / 600 pcs
SD-TG0945	SD-TG0953	PH3 x 200 mm (O8)	8 x 200 mm	320	201	32	8	30	237	12 / 300 pcs
SD-TG0946	SD-TG0954	PH3 x 250 mm (O8)	8 x 250 mm	370	252	31	8	30	259	12 / 300 pcs
SD-TG0947	SD-TG0955	PH3 x 300 mm (O8)	8 x 300 mm	420	300	32	8	30	280	12 / 300 pcs

• Material chrome vanadium

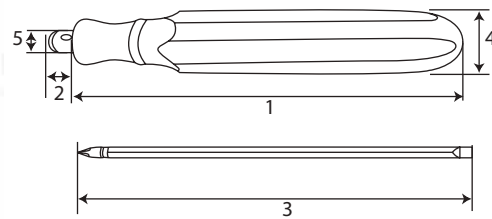


## TWO WAY SCREWDRIVER

OBENG DUA ARAH

ITEM CODE	SIZE		1	2	3	4	5	WEIGHT	QTY / DUS
	(+)	(-)	(mm)	(mm)	(mm)	(mm)	(mm)	(gr)	KECIL/BESAR
SD-TW0849	PH2 X 125 mm	6 X 125 mm	121	9	150	30	10	130	12 / 120 pcs

- 2 in 1 function for convenient use
- 2 - tone big handle for holding well
- Highly durable

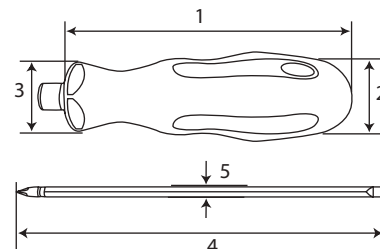


## TPR 2 WAY SCREWDRIVER

OBENG TPR DUA ARAH

ITEM CODE	SIZE		1	2	3	4	5	WEIGHT	QTY / DUS
	(+)	(-)	(mm)	(mm)	(mm)	(mm)	(mm)	(gr)	KECIL/BESAR
SD-TR0957	PH2 x 125 mm	6 x 125 mm	123	31	28	143	6	105	12 / 120 pcs

• Material chrome vanadium





## 6 PCS SCREWDRIVER EXTRACTOR SET

TAP BALIK SET 6 PCS

ITEM CODE
6 PCS
SD-EX0926

- Easy to use
- Highly durable
- Multiple size



SIZE	CONTENT	WEIGHT (gr)	QTY / DUS KECIL/BESAR
6 pcs	6 pcs Screwdriver Extractor 1/8" - 1/4", 1/4" - 5/16", 5/16" - 7/16" 7/16" - 9/16", 3/4" - 1"	215	1 / 10 set

## INSULATION PRECISION SCREWDRIVER 6 PCS

OBENG SET 6 PCS

ITEM CODE
6 PCS
SD-IP0930



SIZE	CONTENT	WEIGHT (gr)	QTY / DUS KECIL/BESAR
6 pcs	6 pcs Insulation Precision Screwdriver (+) # 1 X 25 mm, (+) #0 X 25 mm (+) #00 X 25 mm (-) 1.4 X 25 mm, (-) 1.8 X 25 mm (-) 2.4 X 25 mm	254	12 / 96 set

## PRECISION SCREWDRIVER 12 IN 1 SET

OBENG PRESISI SET 12 IN 1

ITEM CODE
12 IN 1
SD-PR0933



SIZE	CONTENT	WEIGHT (gr)	QTY / DUS KECIL/BESAR
12 pcs	3 pcs Precision Screwdriver (+) # PH00, (+) #PH0, (+) #PH1	190	10 / 96 set
	3 pcs Precision Screwdriver (-) 2 mm, (-) 3 mm, (-) 4 mm		
	6 pcs Precision Screwdriver T5, T6, T8, T10, T15, T20		



**PRECISION ELECTRO SCREWDRIVER SET 6 PCS**  
*OBENG SET LISTRIK PRESISI 6 PCS*

ITEM CODE
6 PCS
SD-PE0937



SIZE	CONTENT	WEIGHT (gr)	QTY / DUS KECIL/BESAR
6 pcs	Electro Screwdriver (+) #1 X 25 mm, (+) #0 X 25 mm, (+) #00 X 25 mm (-) 4 X 100 mm, (-) 5.5 X 125 mm (-) 6.5 X 150 mm, (-) 8 X 150 mm	155	1 / 48 set

**PRECISION SCREWDRIVER SET 30 PCS**  
*OBENG SET PRESISI 30 PCS*

ITEM CODE
30 PCS
SD-PS0936

- Rotating cap for one handed action
- adjustable handle for hard to reach spaces use



SIZE	CONTENT	WEIGHT (gr)	QTY / DUS KECIL/BESAR
30 pcs	9 pcs Bits Torque T4, T5, T6, T7, T8, T9, T10, T15, T20	235	1 / 36 set
	8 pcs Bits Hex 0.7 mm, 0.9 mm, 1.3 mm, 1.5 mm 2 mm, 2.5 mm, 3 mm, 4 mm		
	7 pcs Bits (-) 1 mm, 1.5 mm, 2 mm, 2.5mm 3 mm, 3.5 mm, 4 mm		
	4 pcs Bits (+) PH000, PH00, PH0, PH1		
	2 pcs Bits Pozi PZ0, PZ1		

**GO THRU SCREWDRIVER SET 7 PCS**  
*OBENG SET 7 PCS (TEMBUS HIJAU)*

ITEM CODE
7 PCS
SD-TG0932



SIZE	CONTENT	WEIGHT (gr)	QTY / DUS KECIL/BESAR
7 pcs	4 pcs Go Thru Screwdriver Flat 5 X 75 mm, 6 X 100 mm 6 X 150 mm, 8 X 200 mm	889	1 / 48 set
	3 pcs Go Thru Screwdriver Philips 5 X 75 mm, 6 X 100 mm, 8 X 200 mm		



ITEM CODE
7 PCS
SD-TG0956



**TPR GO THRU SCREWDRIVER SET 7 PCS**  
**OBENG TPR SET 7 PCS (KETOK)**

SIZE	CONTENT	WEIGHT (gr)	QTY / DUS KECIL/BESAR
7 pcs	4 pcs Go Thru Screwdriver Flat, 5 X 75 mm, 6 X 100 mm 8 X 150 mm, 935 X 200 mm 3 pcs Go Thru Screwdriver Philips PH1 X 75 mm, PH2 X 100 mm PH3 X 150 mm	1,200	1 / 48 set

**IN LINE SCREWDRIVER SET 7 PCS**  
**OBENG KRISTAL SET 7 PCS**

ITEM CODE
7 PCS
SD-IL0935



SIZE	CONTENT	WEIGHT (gr)	QTY / DUS KECIL/BESAR
7 pcs	In Line Screwdriver (+) # 2 X 38 mm, (+) # 2 X 100 mm (+) # 3 X 150 mm (-) 2.5 X 100 mm, (-) 6 X 38 mm (-) 6 X 100 mm, (+) 8 X 150 mm	587	1 / 40 set

**CUSHION GRIP SCREWDRIVER 7 PCS**  
**OBENG GAGANG KARET SET 7 PCS**

ITEM CODE
7 PCS
SD-FG0934



SIZE	CONTENT	WEIGHT (gr)	QTY / DUS KECIL/BESAR
7 pcs	Cushion Grip Screwdriver (+) # 2 X 38 mm, # 2 X 100 mm # 3 X 150 mm (-) 2.5 X 100 mm, (-) 6 X 38 mm (-) 6 X 100 mm, (-) 8 X 150 mm	874	1 / 25 set





## ELECTRO SCREWDRIVER SET 7 PCS

**OBENG SET LISTRIK 7 PCS**

ITEM CODE
S-INS75
SD-EL0938



SIZE	CONTENT	WEIGHT (gr)	QTY / DUS KECIL/BESAR
S-INS75	<b>Electro Screwdriver</b> (+) 1 X 80 mm, (+) 2 X 100 mm (+) 3 X 150 mm (-) 4 X 100 mm, (-) 5.5 X 125 mm (-) 6.5 X 150 mm, (-) 8 X 150 mm	811	1 / 18 set

## IMPACT DRIVER 5 PCS SET

**OBENG KETOK SET 5 PCS**



ITEM CODE	SIZE	WEIGHT (gr)	QTY / DUS KECIL/BESAR
SD-IM0923	5 pcs	1,120	1 / 20 set

## IMPACT DRIVER 9 PCS SET

**OBENG KETOK SET 9 PCS**



ITEM CODE	SIZE	WEIGHT (gr)	QTY / DUS KECIL/BESAR
SD-IM0922	9 pcs	1,130	1 / 18 set



**TEKIRO®**  
HAND TOOLS  
BELIEVE IN YOUR CHOICE



SCREWDRIVER

AUTOMOTIVE

STORAGE

TRAY

## IMPACT DRIVER 11 PCS SET

OBENG KETOK SET 11 PCS



ITEM CODE	SIZE	WEIGHT (gr)	QTY / DUS KECIL/BESAR
SD-IM0921	11 pcs	1,160	1 / 10 set

## IMPACT DRIVER BITS SET 12 PCS

MATA OBENG KETOK SET 12 PCS

• S2 Materials



ITEM CODE	SIZE	WEIGHT (gr)	QTY / DUS KECIL/BESAR
SD-IB0924	PH 2 (+)	363	10 / 60 set
SD-IB1287	PH 3 (+)	363	10 / 60 set
SD-IB0925	PH 2 (-)	363	10 / 60 set

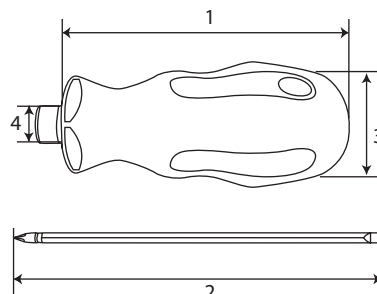
## 2 IN 1 STUBBY SCREWDRIVER

OBENG STUBBY DUA ARAH

- 2 In1 function for convenient use
- Suitable for narrow space using
- Bi-material handle for holding well



ITEM CODE	SIZE		1 (mm)	2 (mm)	3 (mm)	4 (mm)	WEIGHT (gr)	QTY / DUS KECIL/BESAR
	(+)	(-)						
SD-SS1466	PH2 x 60 mm	6 x 60 mm	105	92	64	6	45	6 / 48 pcs





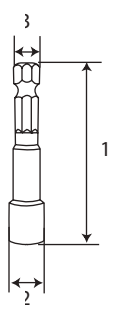
- Integrated storage
- High quality ratchet
- Perfect handle design



**INTERCHANGEABLE SCREWDRIVER SET**  
**OBENG SET 19 IN 1**

SIZE	CONTENT	WEIGHT (gr)	QTY / DUS KECIL/BESAR
SD-IS1465	19 pcs (-) 2 mm, (+) PH00, 1/4" (-) 4 mm, (+) PH0, 5/16" (-) 5 mm, (+) PH1, 7/16" (-) 6 mm, (+) PH2 (-) PH1, (+) PH2 2.5 mm, 3.0 mm 4.0 mm, 5.0 mm 8.0 mm, (+) PH3	387	6 / 48 set

- Heat treated for high torque strength
- Silver matt finishing



**MAGNETIC HEX NUT**

ITEM CODE	SIZE	1 (mm)	2 (mm)	3 (mm)	WEIGHT (gr)	QTY / DUS KECIL/BESAR
SD-MH1406	6 X 65 mm	65	11	6	190	15 / 60 set
SD-MH1407	8 X 65 mm	65	13	6	192	15 / 60 set
SD-MH1408	10 X 65 mm	65	11	6	174	15 / 60 set

**10 PCS DOUBLE ENDED BIT SET**  
**MATA OBENG ANGIN SET 10 PCS**



ITEM CODE	SIZE	WEIGHT (gr)	QTY / DUS KECIL/BESAR
SD-DE0958	PH 1 X 65	235	12 / 144 set
SD-DE0927	PH 2 X 65	233	12 / 48 set
SD-DE0928	PH 2 X 110	268	10 / 60 set
SD-DE0929	PH2 (-) 6 X 65	232	12 / 48 set