



TEKIRO

STORAGE

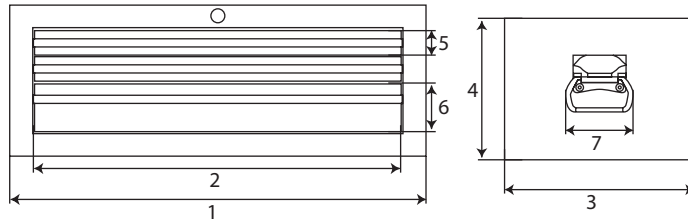


STORAGE



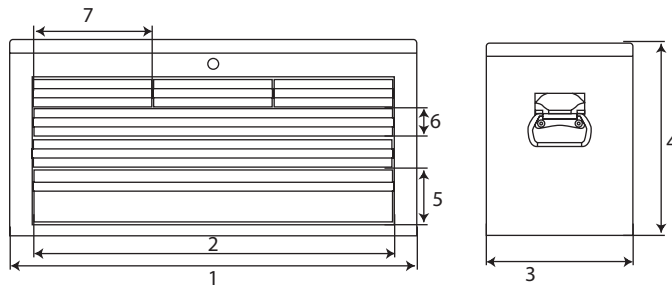
CABINET 3 DRAW

ITEM CODE	SIZE	1 (mm)	2 (mm)	3 (mm)	4 (mm)	5 (mm)	6 (mm)	7 (mm)	WEIGHT (gr)	QTY / DUS KECIL/BESAR
ST-CA1062	TBI 4003X	669	503	315	266	46	75	100	14,700	1 dus @ 1 pcs



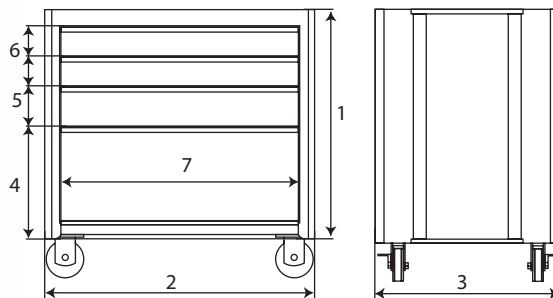
CABINET 6 DRAW

ITEM CODE	SIZE	1 (mm)	2 (mm)	3 (mm)	4 (mm)	5 (mm)	6 (mm)	7 (mm)	WEIGHT (gr)	QTY / DUS KECIL/BESAR
ST-CA1063	TBT 4006E	660	593	307	377	75	48	195	21,500	1 dus @ 1 pcs



ROLLER CABINET 4 DRAW

ITEM CODE	SIZE	1 (mm)	2 (mm)	3 (mm)	4 (mm)	5 (mm)	6 (mm)	7 (mm)	WEIGHT (gr)	QTY / DUS KECIL/BESAR
ST-RC1064	TBI 3003	849	688	457	264	153	100	612	38,000	1 dus @ 1 pcs



SCREWDRIVER

AUTOMOTIVE

STORAGE

TRAY



TEKIRO®
HAND TOOLS
BELIEVE IN YOUR CHOICE

www.tekiro.com



SCREWDRIVER

AUTOMOTIVE

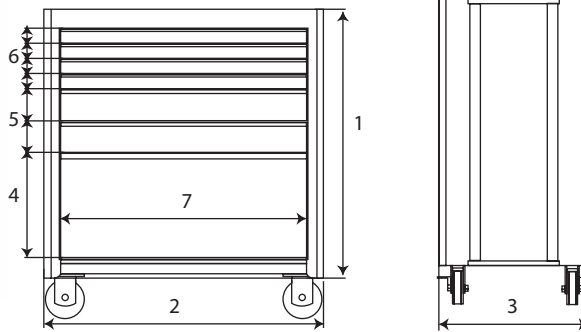
STORAGE

TRAY

ROLLER CABINET 7 DRAW



ITEM CODE	SIZE	1 (mm)	2 (mm)	3 (mm)	4 (mm)	5 (mm)	6 (mm)	7 (mm)	WEIGHT (gr)	QTY / DUS KECIL/BESAR
ST-RC1065	TBI 3007	850	672	450	210	110	50	610	47,00	1 dus @ 1 pcs

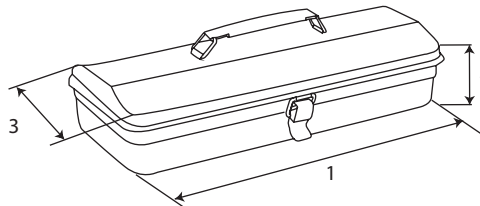


TOOL BOX 1 SUSUN (BESI)

- Lock hook for safety
- Strong hinge



ITEM CODE	SIZE	1 (mm)	2 (mm)	3 (mm)	WEIGHT (gr)	QTY / DUS KECIL/BESAR
ST-TB1067	T-325	355	115	145	1,060	1 / 12 pcs
ST-TB1066	T-528	410	125	150	1,310	1 / 12 pcs

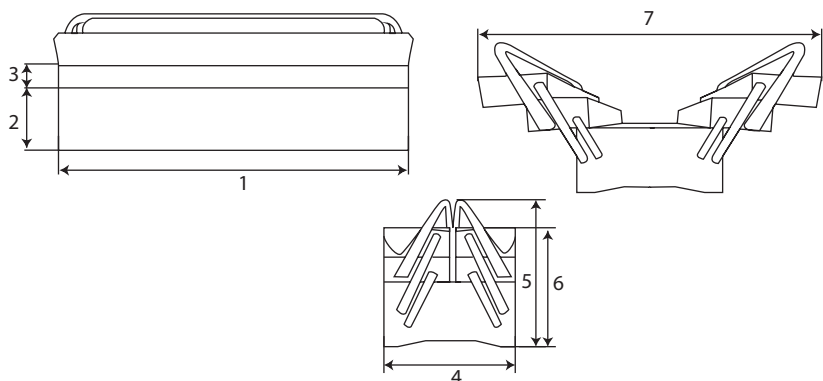


TOOL BOX 3 SUSUN (BESI)

- Lock hook for safety
- Strong hinge



ITEM CODE	SIZE	1 (mm)	2 (mm)	3 (mm)	4 (mm)	5 (mm)	6 (mm)	7 (mm)	WEIGHT (gr)	QTY / DUS KECIL/BESAR
ST-TB1068		555	119	50	200	231	300	500	4,760	1 pcs





SCREWDRIVER

AUTOMOTIVE

STORAGE

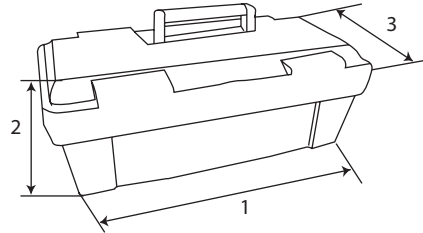
TRAY

- Material : Polypropylene with ABS handle & buckle
- Shock resistance
- Loading capacity 30 kg



TOOL BOX 0201 (PLASTIK)

ITEM CODE	SIZE	1 (mm)	2 (mm)	3 (mm)	WEIGHT (gr)	QTY / DUS KECIL/BESAR
ST-TB1069	TB901	380	139	169	890	1 / 10 pcs

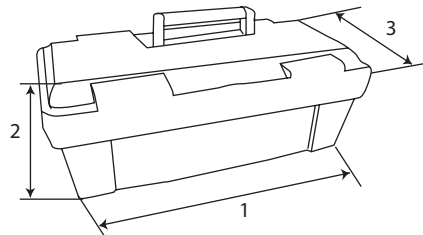


- Material : Polypropylene with ABS handle & buckle
- Shock resistance
- Loading capacity 30 kg



TOOL BOX 0210 (PLASTIK)

ITEM CODE	SIZE	1 (mm)	2 (mm)	3 (mm)	WEIGHT (gr)	QTY / DUS KECIL/BESAR
ST-TB1070	TB902	440	200	226	1,680	1 / 6 pcs

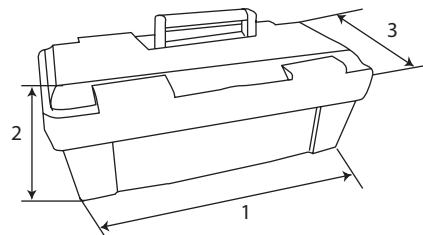


- Material : Polypropylene with ABS handle & buckle
- Shock resistance
- Loading capacity 30 kg



TOOL BOX 0205 (PLASTIK)

ITEM CODE	SIZE	1 (mm)	2 (mm)	3 (mm)	WEIGHT (gr)	QTY / DUS KECIL/BESAR
ST-TB1071	TB905	410	204	226	1,980	1 / 6 pcs

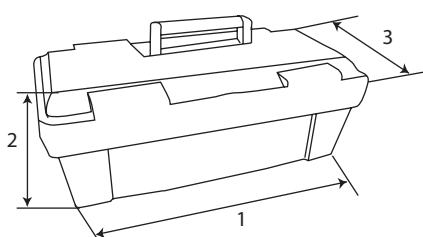


- Material : Polypropylene with ABS handle & buckle
- Shock resistance
- Loading capacity 30 kg



TOOL BOX 02800 (PLASTIK)

ITEM CODE	SIZE	1 (mm)	2 (mm)	3 (mm)	WEIGHT (gr)	QTY / DUS KECIL/BESAR
ST-TB1072	TB800	481	268	238	2,360	1 / 4 pcs





TEKIRO[®]
HAND TOOLS
BELIEVE IN YOUR CHOICE



SCREWDRIVER

AUTOMOTIVE

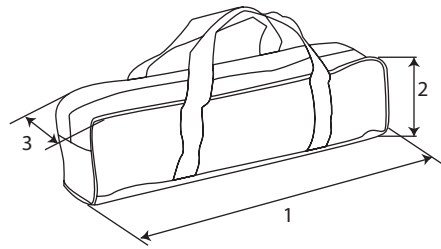
STORAGE

TRAY

TOOL BAG (TERPAL)



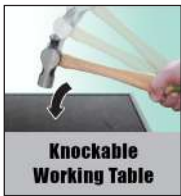
ITEM CODE	SIZE	1 (mm)	2 (mm)	3 (mm)	WEIGHT (gr)	QTY / DUS KECIL/BESAR
ST-BA1073	39 X 8 X 11 cm	390	150	70	111	1 dus = 250 pcs



DRAWERS TOOLS TROLLEY 7 DW

TROLLI 7 LACI

ITEM CODE	SIZE	1 (mm)	2 (mm)	3 (mm)	4 (mm)	5 (mm)	6 (mm)	WEIGHT (gr)	QTY / DUS KECIL/BESAR
ST-RC1501	710 X 460 X 812 mm	800	710	500	460	120	600	78,000	1 pcs



SPECIAL FEATURES

- One plate no welding
- Have ball bearing, it can make easier when customer want to open although the rack is fully charged with tools
- Board on the top, thickness is 20 mm
- Thickness plate the top and bottom until 1,2 mm and the drawers 1 mm
- Drawers loading test until 3.000 kg
- TPR Wheel reduce the noise when the cabinet want to move to another place

