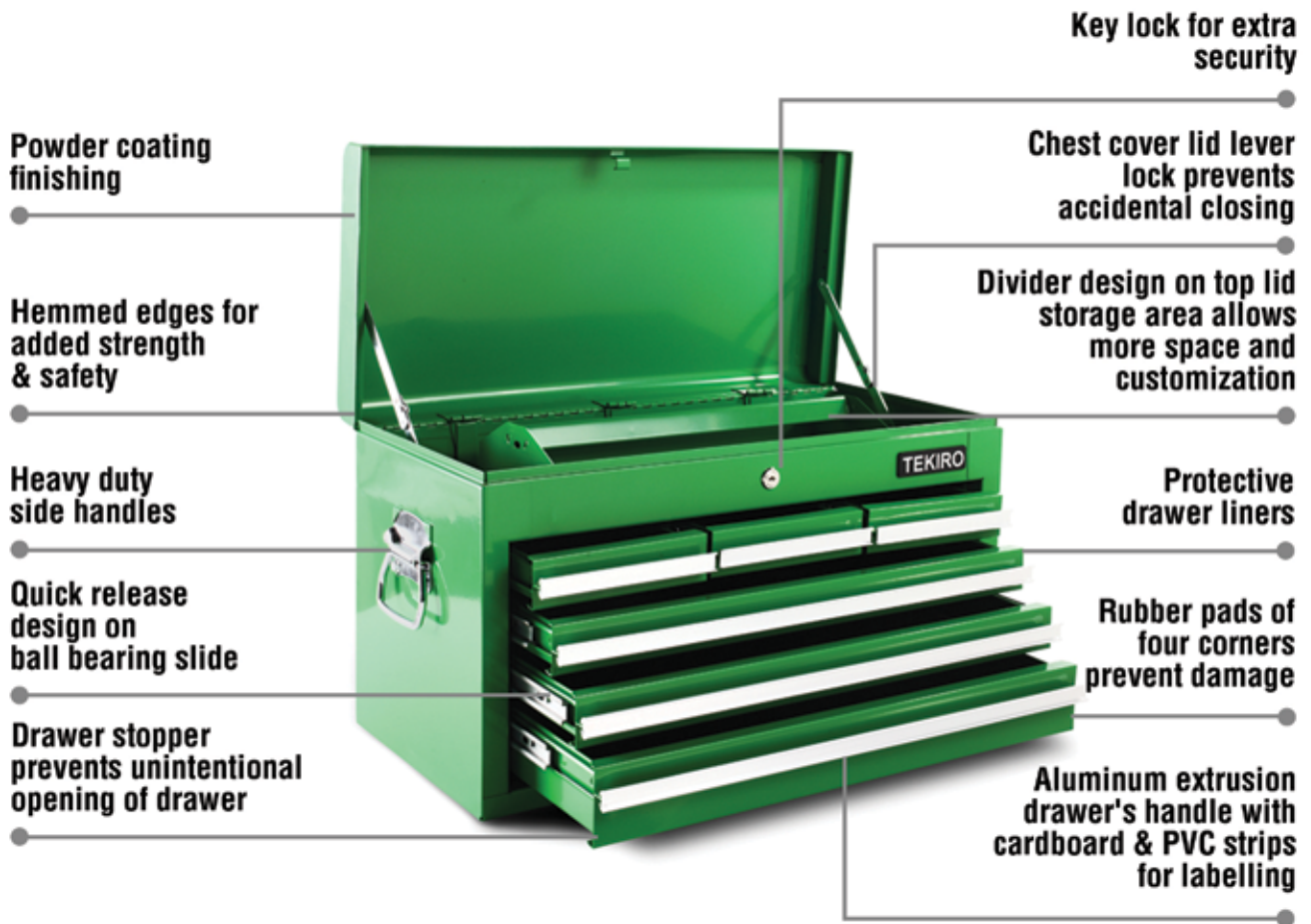




CABINET 6 DRAWER

TEKIRO Drawer Cabinets can be described in simple words. Tough, durable and rugged construction.



STEEL THICKNESS:

Body : 0.8 mm | Drawer : 0.7 mm | Drop-front : 1.0 mm



Three top drawers



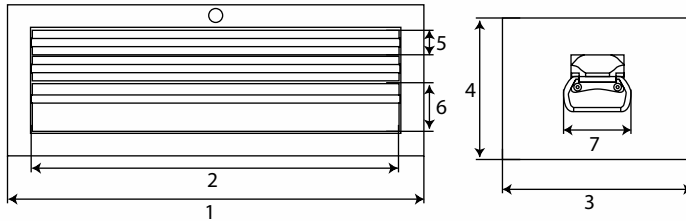
Interchangeable Drawer

CABINET 3 DRAWER

KABINET MEKANIK 3 LACI TB14003-X

- All steel for strength and durability
- Full bearing drawer slides for smooth operation
- High load capacity

ITEM CODE	SIZE	1 (mm)	2 (mm)	3 (mm)	4 (mm)	5 (mm)	6 (mm)	7 (mm)	WEIGHT (gr)	QTY / BOX INNER/MASTER
ST-CA1062	TBI 4003X	669	503	315	266	46	75	100	14,700	1 pcs

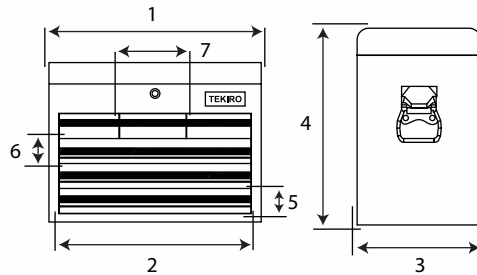


CABINET 4-1 DRAWER

KABINET MEKANIK 4 LACI -1

- All steel for strength and durability
- Full bearing drawer slides for smooth operation
- High load capacity

ITEM CODE	SIZE	1 (mm)	2 (mm)	3 (mm)	4 (mm)	5 (mm)	6 (mm)	7 (mm)	WEIGHT (gr)	QTY / BOX INNER/MASTER
SR-CA1834	61 X 31 X 38 CM	660	593	307	377	74.5	48	193.5	21,500	1 pcs

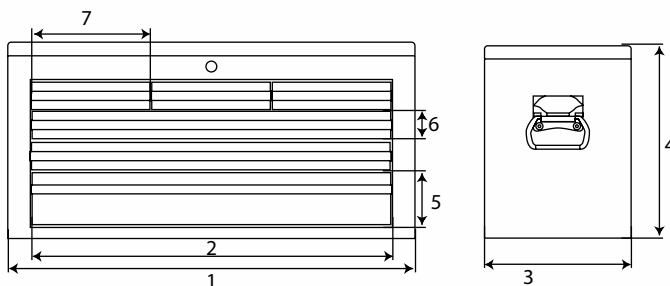


CABINET 6 DRAWER

KABINET MEKANIK 6 LACI TBT4006E

- All steel for strength and durability
- Full bearing drawer slides for smooth operation
- High load capacity

ITEM CODE	SIZE	1 (mm)	2 (mm)	3 (mm)	4 (mm)	5 (mm)	6 (mm)	7 (mm)	WEIGHT (gr)	QTY / BOX INNER/MASTER
ST-CA1063	TBT 4006E	660	593	307	377	75	48	195	21,500	1 pcs

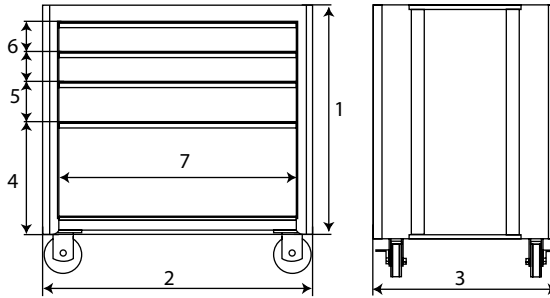


- High durability steel construction
- Full bearing drawer slides for smooth operation
- High load capacity
- Roller Castors included as spare parts

CABINET 4 DRAWER

TROLI KABINET MEKANIK 4 LACI (TBR 3003)

ITEM CODE	SIZE	1 (mm)	2 (mm)	3 (mm)	4 (mm)	5 (mm)	6 (mm)	7 (mm)	WEIGHT (gr)	QTY / BOX INNER/MASTER
ST-RC1064	TBI 3003	849	688	457	264	153	100	612	38,000	1 pcs

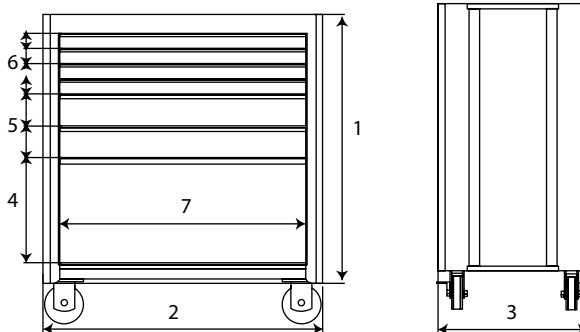


- High durability steel construction
- Full bearing drawer slides for smooth operation
- High load capacity
- Roller Castors included as spare parts

CABINET 7 DRAWER

TROLI KABINET MEKANIK 7 LACI (TBR 3007)

ITEM CODE	SIZE	1 (mm)	2 (mm)	3 (mm)	4 (mm)	5 (mm)	6 (mm)	7 (mm)	WEIGHT (gr)	QTY / BOX INNER/MASTER
ST-RC1065	TBI 3007	850	672	450	210	110	50	610	47,000	1 pcs



TOOL BOX TB1072

Made of thick-walled Polypropylene material for excellent shock resistance. This toolbox is built to withstand the toughest condition. The removable top lid organizers allow for small part storage while the larger area below the tray provides room for heavier and larger tools.

ABS handle
& buckle



Shock
resistance



Polypropylene
material



Portable tools storage
with plenty of capacity & Keep
your tools organized



Tray separator to
organize heavy and
light tools

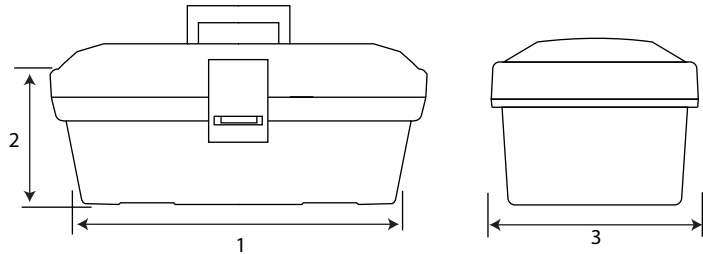
- Material : Polypropylene with ABS handle & buckle
- Shock resistance
- Loading capacity 30 kg



TOOL BOX TB1069

KOTAK PERKAKAS TB 901 (0201)

ITEM CODE	SIZE	1 (mm)	2 (mm)	3 (mm)	WEIGHT (gr)	QTY / BOX INNER/MASTER
ST-TB1069	TB901	380	139	169	890	1 / 10 pcs



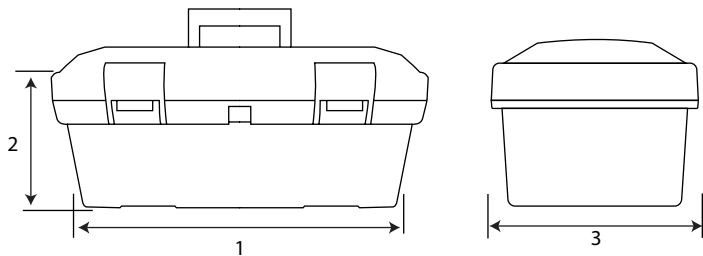
- Material : Polypropylene with ABS handle & buckle
- Shock resistance
- Loading capacity 30 kg



TOOL BOX TB1070

KOTAK PERKAKAS TB 902 (0210)

ITEM CODE	SIZE	1 (mm)	2 (mm)	3 (mm)	WEIGHT (gr)	QTY / BOX INNER/MASTER
ST-TB1070	TB902	440	200	226	1,680	1 / 6 pcs



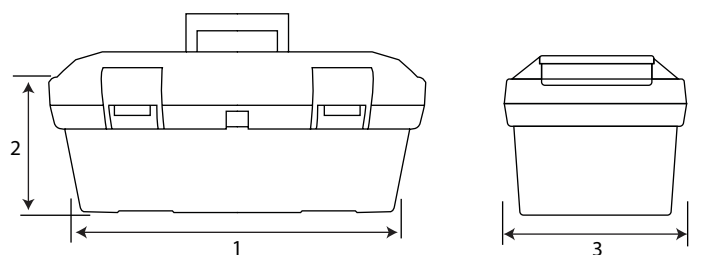
- Material : Polypropylene with ABS handle & buckle
- Shock resistance
- Loading capacity 30 kg



TOOL BOX TB1071

KOTAK PERKAKAS TB 905 (0205)

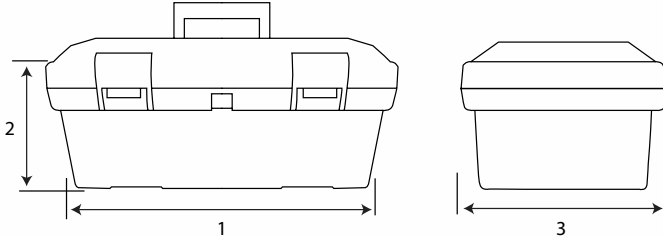
ITEM CODE	SIZE	1 (mm)	2 (mm)	3 (mm)	WEIGHT (gr)	QTY / BOX INNER/MASTER
ST-TB1071	TB905	410	204	226	1,980	1 / 6 pcs



TOOL BOX TB1072

KOTAK PERKAKAS TB 800 (02800)

ITEM CODE	SIZE	1 (mm)	2 (mm)	3 (mm)	WEIGHT (gr)	QTY / BOX INNER/MASTER
ST-TB1072	TB800	481	268	238	2,360	1 / 4 pcs



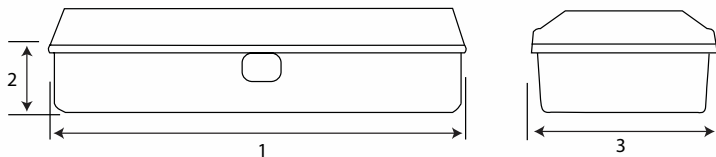
- Polypropylene with ABS handle & buckle
- Shock resistance
- Loading capacity 30 kg



TOOL BOX (METAL CASE)

KOTAK PERKAKAS

ITEM CODE	SIZE	1 (mm)	2 (mm)	3 (mm)	WEIGHT (gr)	QTY / BOX INNER/MASTER
ST-TB1067	T-325	355	115	145	1,060	1 / 12 pcs
ST-TB1066	T-528	410	125	150	1,310	1 / 12 pcs



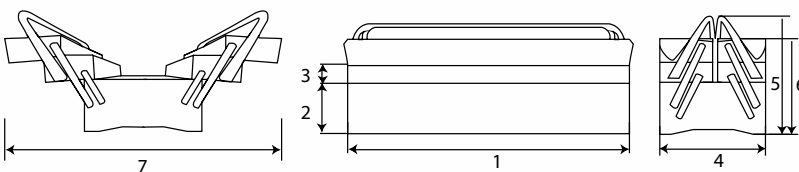
- Lock hook for safety
- Strong hinge



TOOL BOX

KOTAK PERKAKAS 3 SUSUN

ITEM CODE	SIZE	1 (mm)	2 (mm)	3 (mm)	4 (mm)	5 (mm)	6 (mm)	7 (mm)	WEIGHT (gr)	QTY / BOX INNER/MASTER
ST-TB1068	550 x 200 290 mm	555	119	50	200	231	300	500	4,760	1 pcs



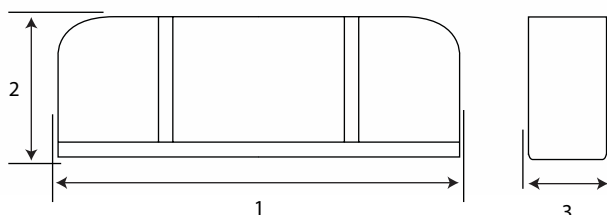
- Lock hook for safety
- Strong hinge



TOOL BAG

TAS PERKAKAS

ITEM CODE	SIZE	1 (mm)	2 (mm)	3 (mm)	WEIGHT (gr)	QTY / BOX INNER/MASTER
ST-BA1073	39 X 8 X 11 cm	390	150	70	111	1 / 250 pcs



- Easy tool access
- Durable tool bag
- Comfortable to carry



CABINET 7 DRAWER

This is the most comprehensive and favourite among the mechanics. It has ample drawers and space to store a complete set of tools while providing a high impact working surface that could absorb heavy hammer blows and vibration.



STRENGTH OF DRAWERS REACHES 50 KG



HIGH IMPACT WORKING TABLE

High Impact working surface absorbs vibration (20mm thickness)

Side handle for easy handling

One piece steel body structure for extreme strength

Powder coating finishing

2 swivel castors with lock

Key lock for extra security

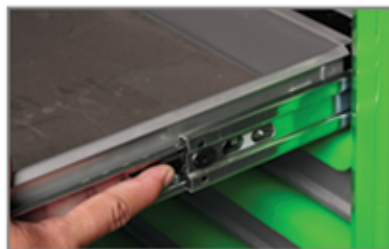
Hemmed edge for all drawers and body to add strength and safety

Quick release design on ball bearing slide

Pushing unlocked drawer to be locked while all others are locked

Protective drawer liners

2 Fixed castors



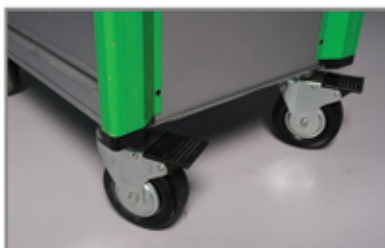
Quick release design on ball bearing slide



Drawer interchangeable



Tool tray on the side can be holder for frequently used supplies



Castors made of TPR material reduces noise during movement. Swivel castors with locking mechanism

**CAPACITY
EACH DRAWER :
50 kgs**

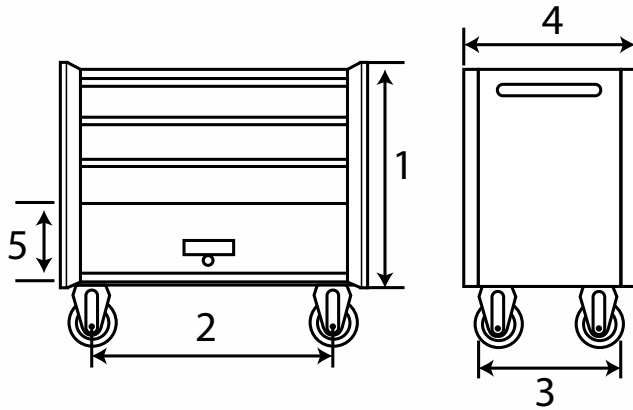
STEEL THICKNESS:

Top & Bottom covers : 1.2 mm
Body : 1.0 mm
Drawer : 1.0 mm

CABINET 3 DRAWER

TROLI KABINET MEKANIK 3 LACI

ITEM CODE	SIZE	1 (mm)	2 (mm)	3 (mm)	4 (mm)	5 (mm)	WEIGHT (gr)	QTY / BOX INNER/MASTER
ST-RC1590		650	710	490	470	230	52,000	1 set



AUTOMOTIVE

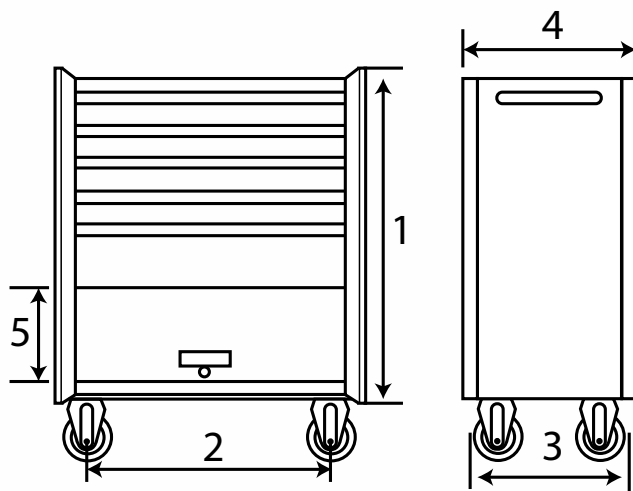
STORAGE

TRAY

CABINET 5 DRAWER

TROLI KABINET MEKANIK 5 LACI

ITEM CODE	SIZE	1 (mm)	2 (mm)	3 (mm)	4 (mm)	5 (mm)	WEIGHT (gr)	QTY / BOX INNER/MASTER
ST-RC1589		800	710	500	460	150	70,000	1 set



AIR TOOLS

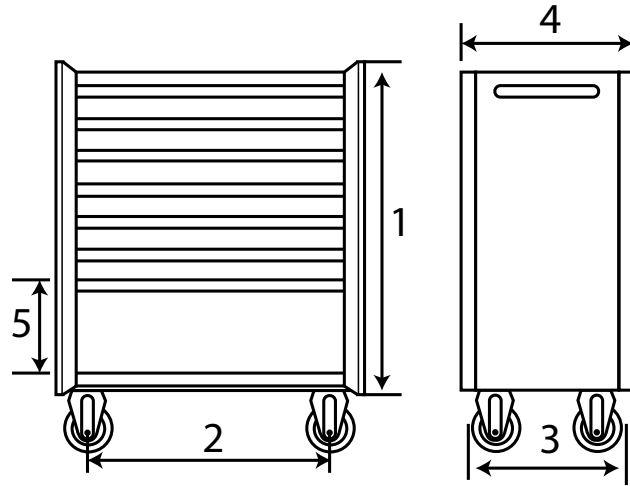
HEX KEY

GENERAL TOOLS

CABINET 7 DRAWER

TROLI KABINET MEKANIK 7 LACI

ITEM CODE	SIZE	1 (mm)	2 (mm)	3 (mm)	4 (mm)	5 (mm)	WEIGHT (gr)	QTY / BOX INNER/MASTER
ST-RC1501	-	800	710	500	460	150	70,000	1 set



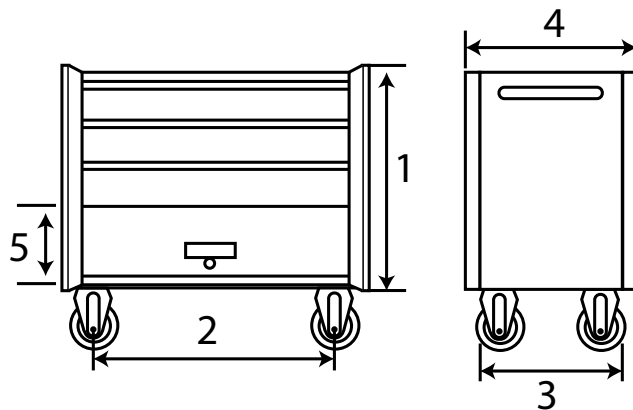
CONTENT

EVA ITEM CODE	EVA NAME
TY-PS1572	PLIERS SET
TY-CW1574	COMBINATION WRENCH SET
TY-SS1578	1/2" DR. SOCKET SET
TY-FN1580	FLARE NUT WRENCH SET
TY-SB1579	1/4" DR. SOCKET SET AND BALLPOINT HEX KEY WRENCH

CABINET 3 DRAWER SET 97 PCS

TROLI KABINET MEKANIK 3 LACI 97 PCS

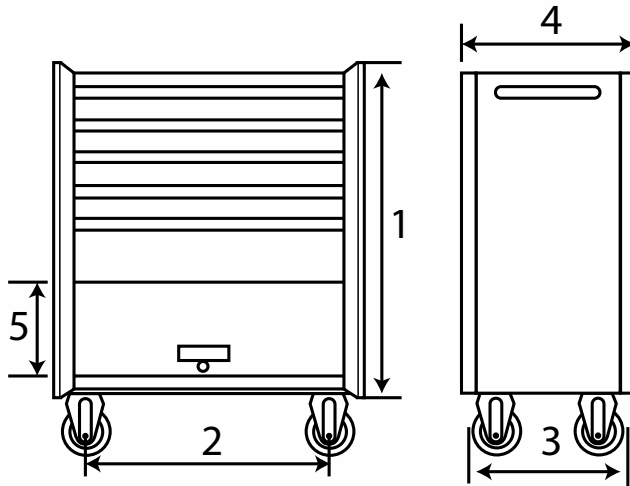
ITEM CODE	SIZE	1 (mm)	2 (mm)	3 (mm)	4 (mm)	5 (mm)	WEIGHT (gr)	QTY / BOX INNER/MASTER
ST-RC1637	-	650	710	490	470	230	-	1 set



CABINET 5 DRAWER SET 97 PCS

TROLI KABINET MEKANIK 5 LACI 97 PCS

ITEM CODE	SIZE	1 (mm)	2 (mm)	3 (mm)	4 (mm)	5 (mm)	WEIGHT (gr)	QTY / BOX INNER/MASTER
ST-RC1638	-	800	710	500	460	150	-	1 set



CONTENT

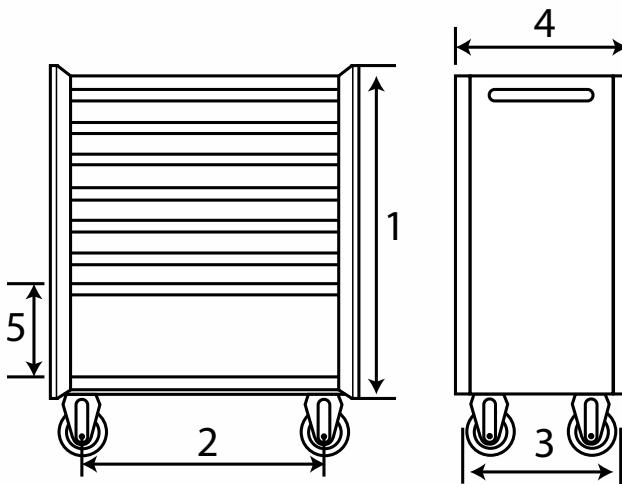
EVA ITEM CODE	EVA NAME
TY-PS1572	PLIERS SET
TY-CW1574	COMBINATION WRENCH SET
TY-BS1577	1/2" DR. BIT SOCKET SET
TY-FN1580	FLARE NUT WRENCH SET
TY-SB1579	1/4" DR. SOCKET SET AND BALLPOINT HEX KEY WRENCH
TY-CW1574	TPR GO THRU SCREWDRIVER SET
TY-SP1573	SNAP RING PLIERS



CABINET 7 DRAWER SET 136 PCS

TROLI KABINET MEKANIK 7 LACI 136 PCS

ITEM CODE	SIZE	1 (mm)	2 (mm)	3 (mm)	4 (mm)	5 (mm)	WEIGHT (gr)	QTY / BOX INNER/MASTER
ST-RC1639	-	800	710	500	460	150	-	1 set



CONTENT

EVA ITEM CODE	EVA NAME
TY-PS1572	PLIERS SET
TY-SS1578	1/2" DR. SOCKET SET
TY-SB1579	1/4" DR. SOCKET SET AND BALLPOINT HEX KEY WRENCH
TY-FN1580	FLARE NUT WRENCH SET
TY-CW1574	COMBINATION WRENCH SET
TY-SS1564	TPR GO THRU SCREWDRIVER SET
TY-SW1567	STAR WRENCH SET
TY-MS1565	MEASUREMENT SET
TY-ID1568	IMPACT DRIVE
TY-OH1562	DOUBLE OPEN END AND HEX KEY WRENCH SET

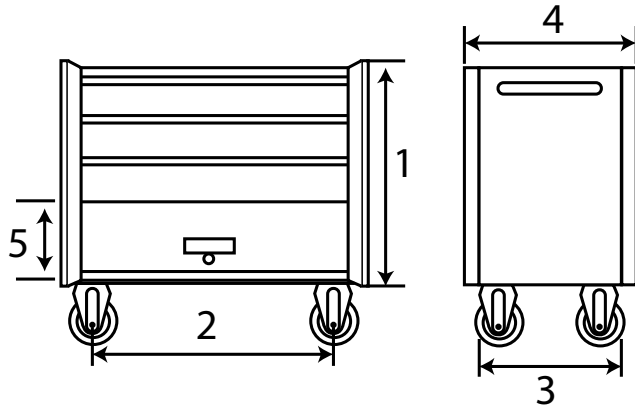


CONTENT

EVA ITEM CODE	EVA NAME
TY-PS1572	PLIERS SET
TY-CW1574	COMBINATION WRENCH SET
TY-SS1578	1/2" DR. SOCKET SET
TY-FN1580	FLARE NUT WRENCH SET
TY-SP1573	SNAP RING PLIERS


CABINET 3 DRAWER SET 67 PCS
TROLI KABINET MEKANIK 3 LACI 67 PCS

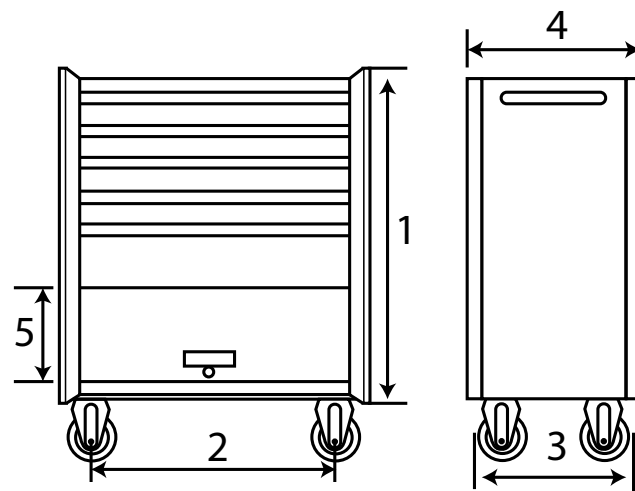
ITEM CODE	SIZE	1 (mm)	2 (mm)	3 (mm)	4 (mm)	5 (mm)	WEIGHT (gr)	QTY / BOX INNER/MASTER
ST-RC1817	-	650	710	490	470	230	-	1 set


CONTENT

EVA ITEM CODE	EVA NAME
TY-PS1572	PLIERS SET
TY-CW1574	COMBINATION WRENCH SET
TY-SS1578	1/2" DR. SOCKET SET
TY-FN1580	FLARE NUT WRENCH SET
TY-SP1573	SNAP RING PLIERS


CABINET 5 DRAWER SET 67 PCS
TROLI KABINET MEKANIK 5 LACI 67 PCS

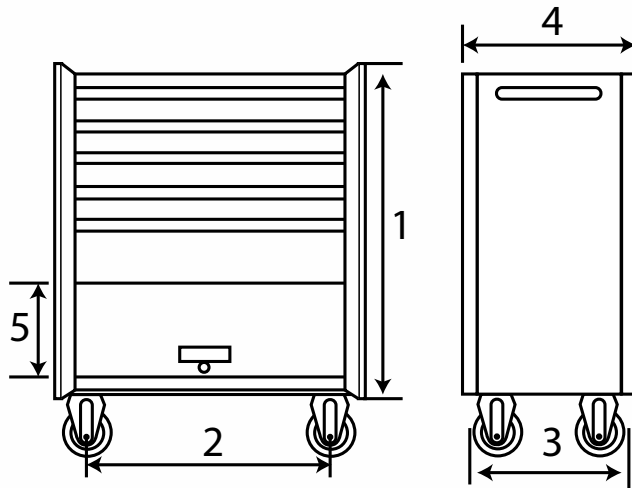
ITEM CODE	SIZE	1 (mm)	2 (mm)	3 (mm)	4 (mm)	5 (mm)	WEIGHT (gr)	QTY / BOX INNER/MASTER
ST-RC1809	-	800	710	500	460	150	-	1 set



CABINET 5 DRAWER SET 80 PCS

TROLI KABINET MEKANIK 5 LACI 80 PCS

ITEM CODE	SIZE	1 (mm)	2 (mm)	3 (mm)	4 (mm)	5 (mm)	WEIGHT (gr)	QTY / BOX INNER/MASTER
ST-RC1830	-	800	710	500	460	150	-	1 set



CONTENT

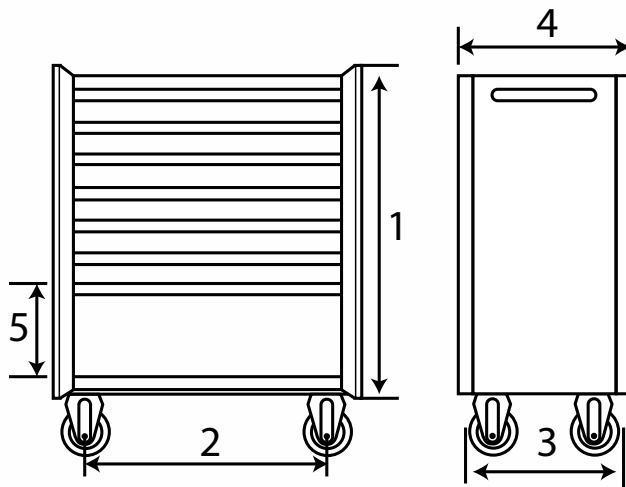
EVA ITEM CODE	EVA NAME
TY-PS1572	PLIERS SET
TY-SS1578	1/2" DR. SOCKET SET
TY-SB1579	1/4" DR. SOCKET SET AND BALLPOINT HEX KEY WRENCH
TY-FN1580	FLARE NUT WRENCH SET
TY-SS1564	TPR GO THRU SCREWDRIVER SET
TY-SP1573	SNAP RING PLIERS



CABINET 7 DRAWER SET 99 PCS

TROLI KABINET MEKANIK 7 LACI 99 PCS

ITEM CODE	SIZE	1 (mm)	2 (mm)	3 (mm)	4 (mm)	5 (mm)	WEIGHT (gr)	QTY / BOX INNER/MASTER
ST-RC1808	-	650	710	490	470	230	-	1 set



CONTENT

EVA ITEM CODE	EVA NAME
TY-OH1562	DOUBLE OPEN END AND HEX KEY WRENCH SET
TY-SS1564	TPR GO THRU SCREWDRIVER SET
TY-MS1565	MEASUREMENT SET
TY-SW1567	STAR WRENCH SET
TY-ID1568	IMPACT DRIVE
TY-PS1572	PLIERS SET
TY-CW1574	COMBINATION WRENCH SET
TY-SS1578	1/2" DR. SOCKET SET
TY-FN1580	FLARE NUT WRENCH SET
TY-SP1573	SNAP RING PLIERS



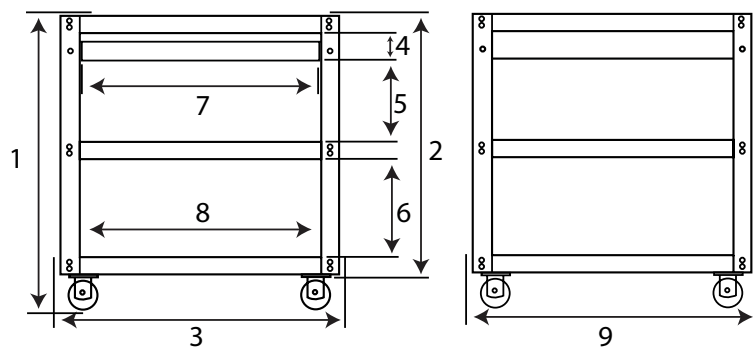


- Ball-bearing drawer slides for smooth movement
- Full extension removable drawers
- High quality material
- Specially developed for car/motorcycle mechanics
- Chest can be placed on top

TOOL CART BLACK

TROLI KERANJANG MEKANIK HITAM

ITEM CODE	SIZE	1 (mm)	2 (mm)	3 (mm)	4 (mm)	5 (mm)	6 (mm)	7 (mm)	8 (mm)	9 (mm)	WEIGHT (gr)	QTY / BOX INNER/MASTER
ST-TC1898	69 X 47 X 89	890	750	580	80	200	280	580	680	460	22,000	1 pcs



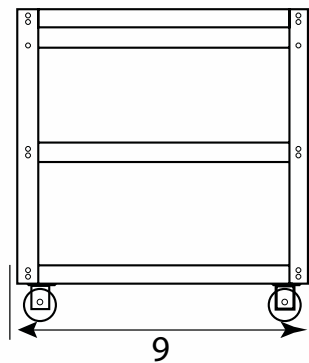
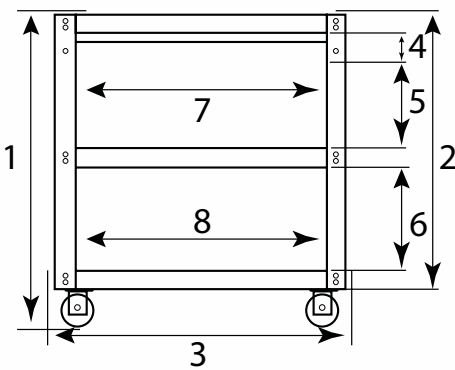


TOOL CART

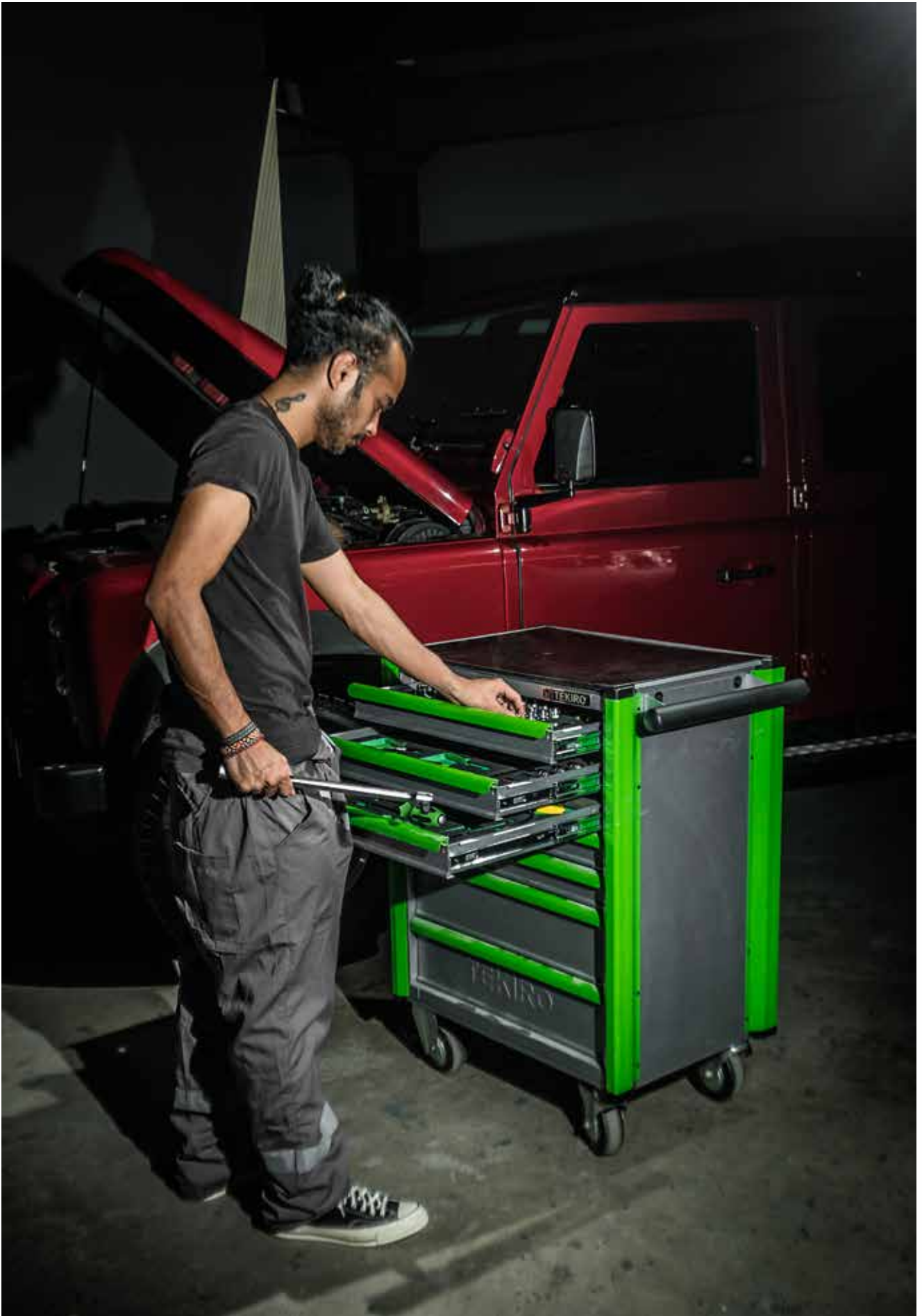
TROLI KERANJANG MEKANIK

ITEM CODE	SIZE
ST - TC1832	69 X 47 X 89

1 (mm)	2 (mm)	3 (mm)	4 (mm)	5 (mm)	6 (mm)	7 (mm)	8 (mm)	9 (mm)	WEIGHT (gr)	QTY / BOX INNER/MASTER
890	750	680	80	200	280	580	680	460	22,000	1 pcs



- Ball-bearing drawer slides for smooth movement
- Full extension removable drawers
- High quality material
- Specially developed for car/motorcycle mechanics
- Chest can be placed on top



BELIEVE
IN YOUR CHOICE

WWW.TEKIRO.COM